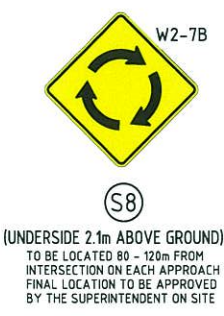
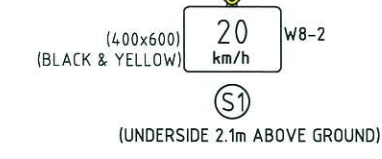
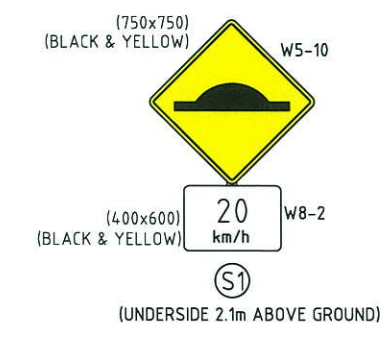
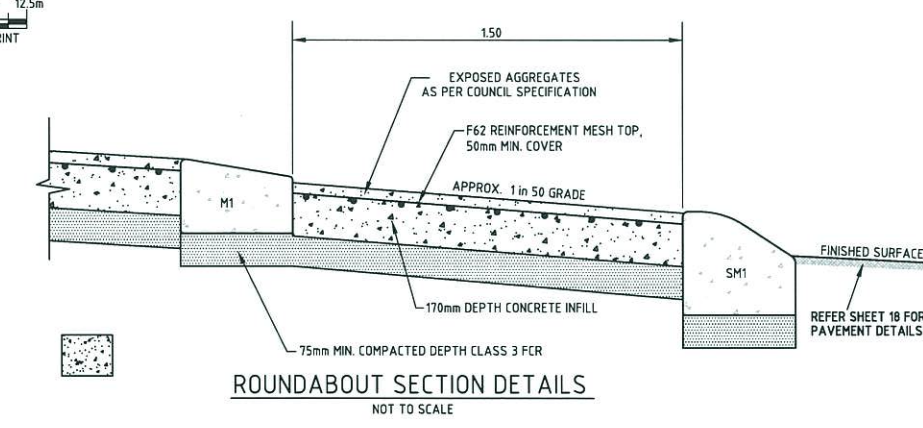
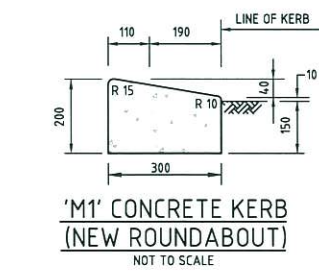
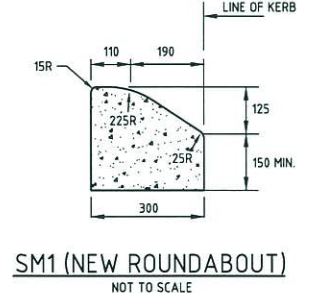
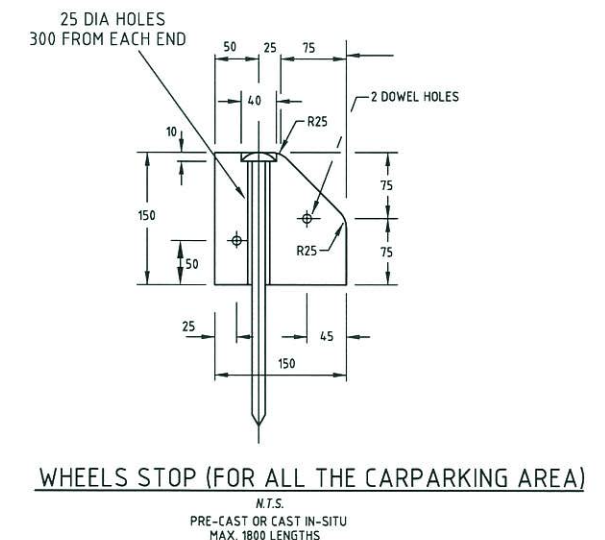
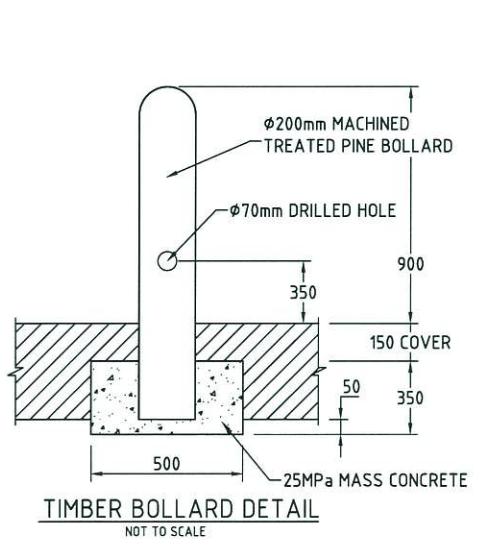
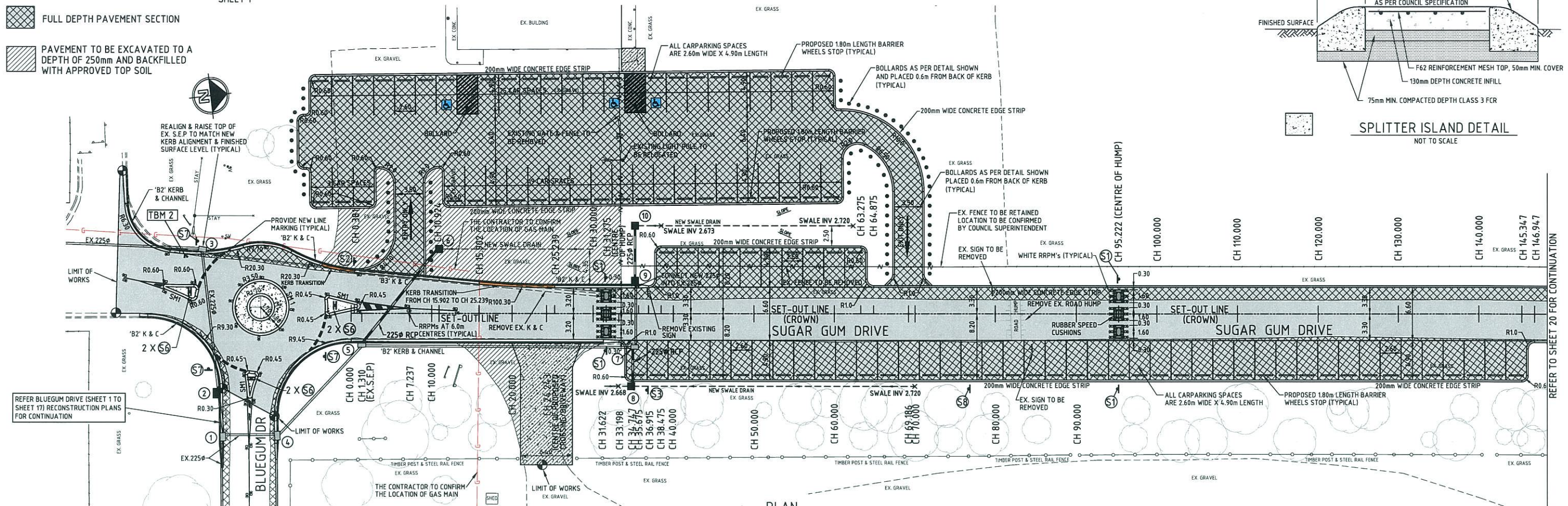
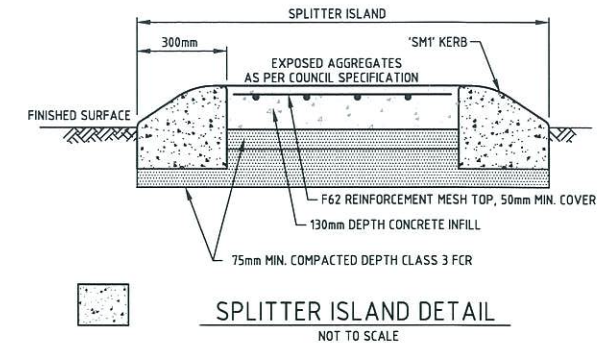


**LEGEND:**

-  ASPHALT OVERLAY AREA
-  FULL DEPTH PAVEMENT SECTION
-  PAVEMENT TO BE EXCAVATED TO A DEPTH OF 250mm AND BACKFILLED WITH APPROVED TOP SOIL
-  CONCRETE FOOTPATH / DRIVEWAY AS PER CITY OF HOBSONS BAY STANDARDS AND AS NOTED ON SHEET 1



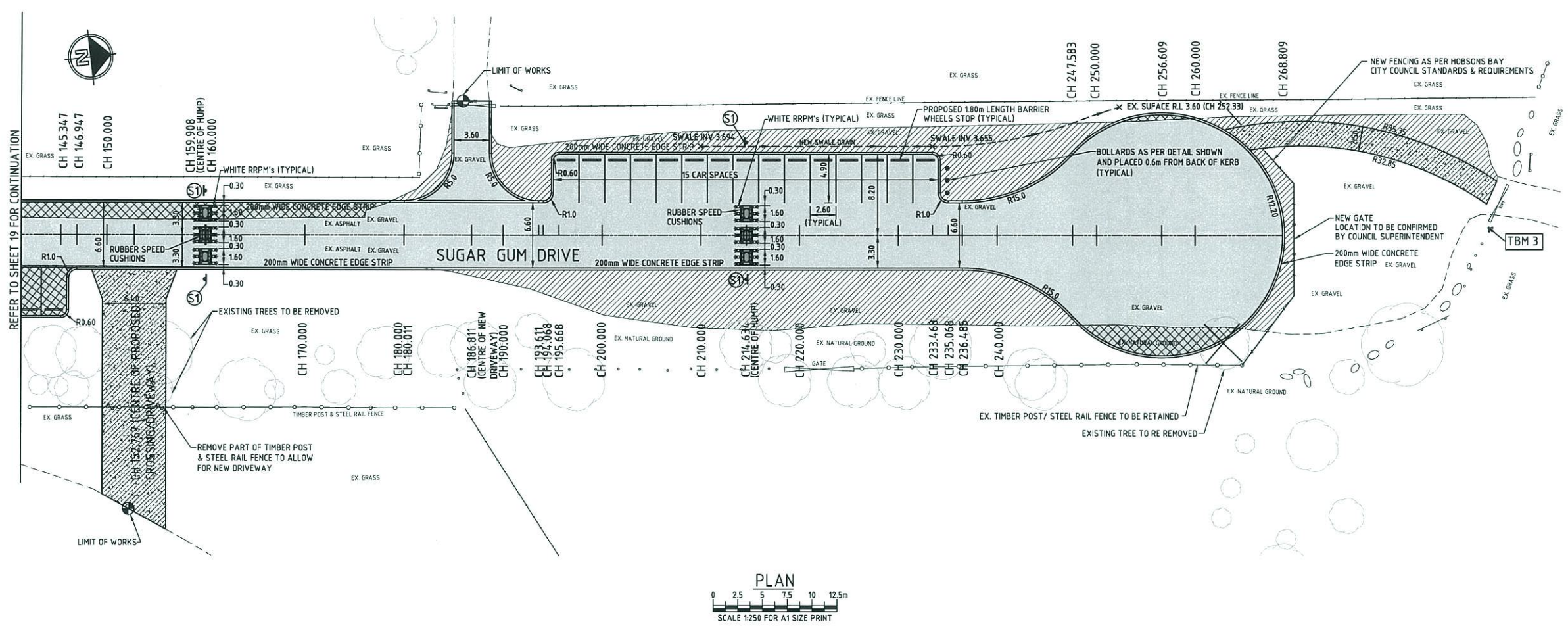
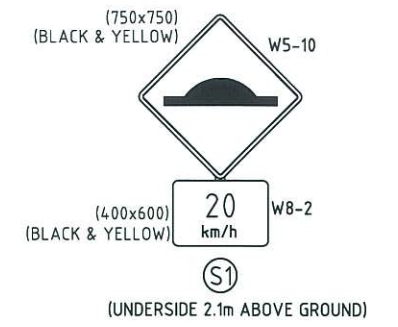
**DETAIL DESIGN**

AMENDMENTS		REV	DATE	<p><b>WARNING</b> BEWARE OF UNDERGROUND SERVICES</p> <p>THE LOCATION OF UNDERGROUND SERVICES ARE APPROXIMATE ONLY AND THEIR EXACT POSITION SHOULD BE PROVEN ON SITE. NO GUARANTEE IS GIVEN THAT ALL EXISTING SERVICES ARE SHOWN.</p>		<p><b>JDS</b> Civil Designs &amp; Surveys Performance - Quality - Reliability</p> <p>ABN 56 846 053 738 RBP No. DP-SD 17489</p> <p>Suite 7, 26-36 HIGH STREET NORTHCOE, VIC 3070 info@jdscivil.com.au</p>		<p>CLIENT: Hobsons Bay CITY COUNCIL</p>		<p><b>DO NOT SCALE DRAWING</b></p> <p>Designed &amp; Drawn by: JDS Approved for issue: HCY Date: 15-03-2013 Council Approved: Date:</p>		<p>Client: <b>CITY OF HOBSONS BAY</b> Project: <b>SUGARGUM DRIVE &amp; BLUEGUM DRIVE, ALTONA</b> Title: <b>DETAIL PLAN</b></p>		<p>Sheet: 19</p>
		Original Size	A1	FILE NAME:	JDSS583-C1.DWG	DRAWING No:	JDSS583-C19	Rev:	D					



**LEGEND:**

-  ASPHALT OVERLAY AREA
-  CONCRETE FOOTPATH / DRIVEWAY AS PER CITY OF HOBSONS BAY STANDARDS AND AS NOTED ON SHEET 1
-  FULL DEPTH PAVEMENT SECTION
-  PAVEMENT TO BE EXCAVATED TO A DEPTH OF 250mm AND BACKFILLED WITH APPROVED TOP SOIL



**DETAIL DESIGN**

AMENDMENTS	REV	DATE

**WARNING**  
**BEWARE OF UNDERGROUND SERVICES**  
 THE LOCATION OF UNDERGROUND SERVICES ARE APPROXIMATE ONLY AND THEIR EXACT POSITION SHOULD BE PROVEN ON SITE. NO GUARANTEE IS GIVEN THAT ALL EXISTING SERVICES ARE SHOWN.

**JDS** Civil Designs & Surveys  
 Performance - Quality - Reliability  
 Suite 7, 26-36 High Street, Northcote, VIC 3070  
 Phone: 9463 8000, Fax: 9463 8001, Email: info@jdscivil.com.au



**DO NOT SCALE DRAWING**  
 Designed & Drawn by: JDS  
 Approved for issue: HCY  
 Date: 15-03-2013  
 Council Approved:  
 Date:

Client	<b>CITY OF HOBSONS BAY</b>
Project	<b>SUGARGUM DRIVE &amp; BLUEGUM DRIVE, ALTONA</b>
Title	<b>DETAIL PLAN</b>
Original Size	<b>A1</b>
FILE NAME:	<b>JDSS583-C1.DWG</b>
DRAWING No:	<b>JDSS583-C20</b>
Rev:	<b>D</b>
Sheet:	<b>20</b>